

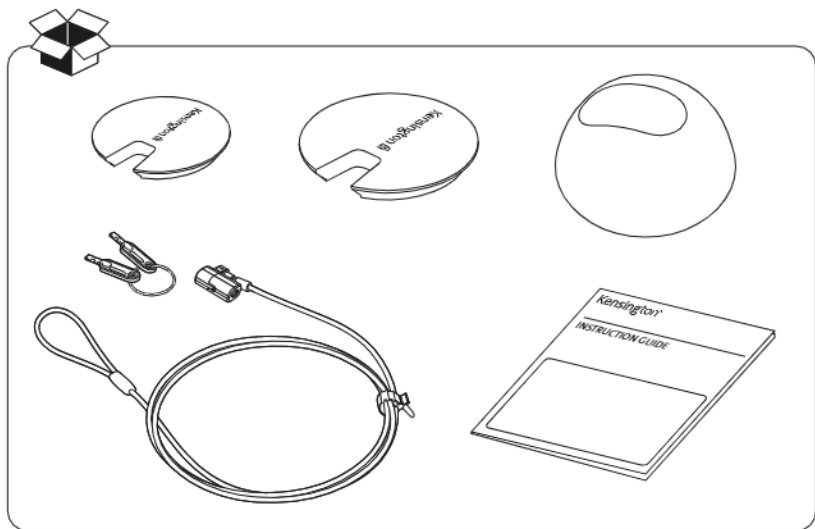
# Kensington®

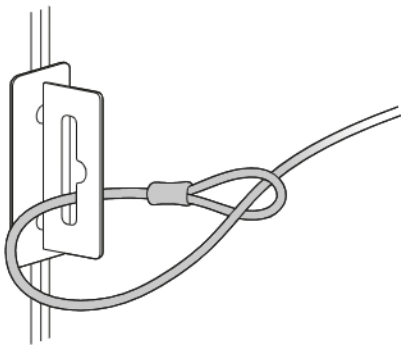
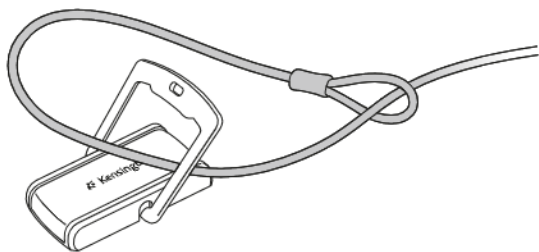
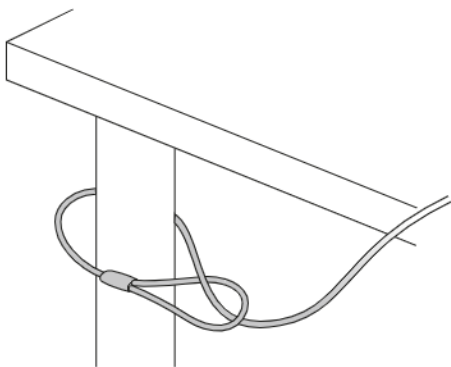
## SafeDome™ for iMac® with ClickSafe® Keyed Ultra Lock

---

INSTRUCTION GUIDE  
GUIDE D'INSTRUCTIONS  
BEDIENUNGSANLEITUNG  
HANDLEIDING  
MANUALE DI ISTRUZIONI  
MANUAL DE INSTRUCCIONES

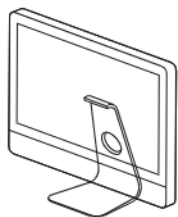
HASZNÁLATI ÚTMUTATÓ  
PŘÍRUČKA S POKYNY  
INSTRUKCJA OBSŁUGI  
РУКОВОДСТВО ПОЛЬЗОВАТЕЛЯ  
MANUAL DE INSTRUÇÕES



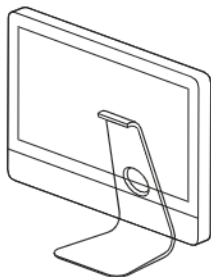
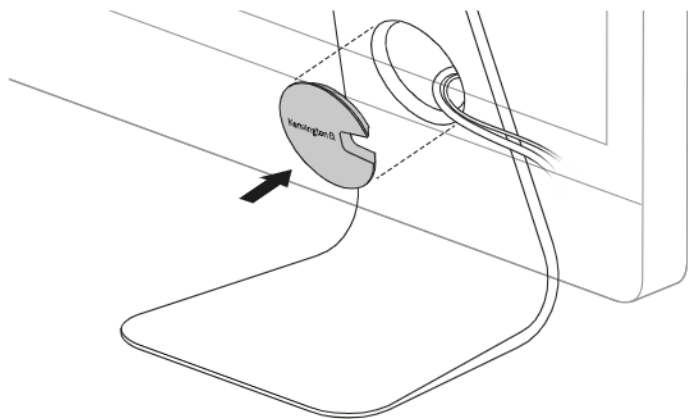


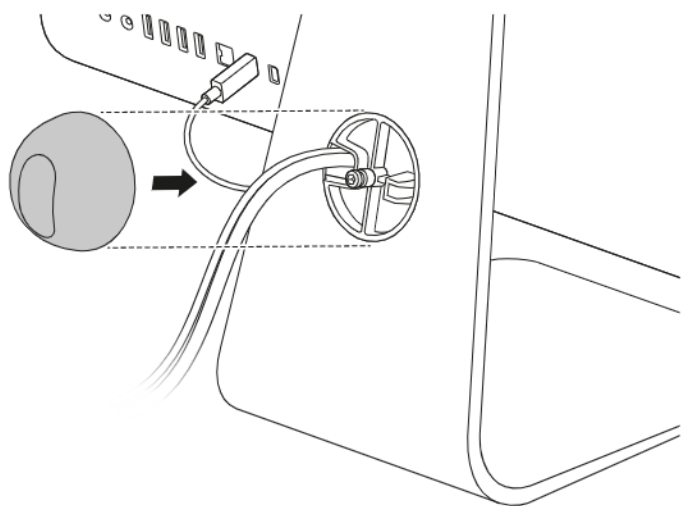
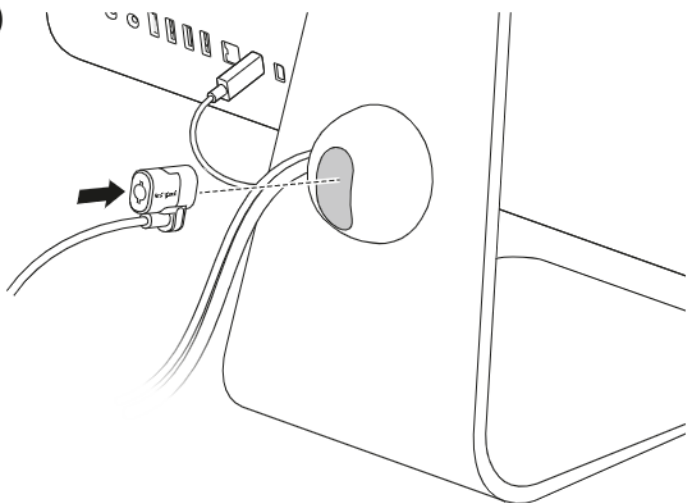
**1**

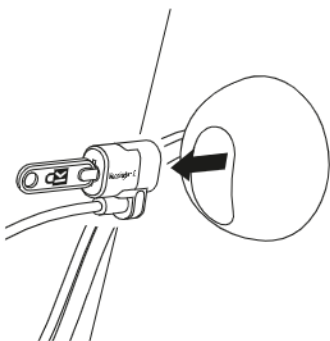
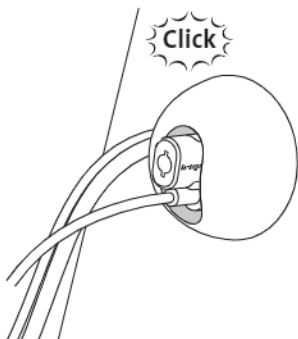
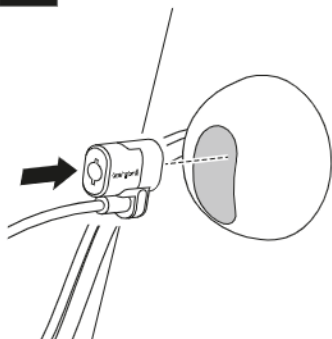
21.5 in



27 in

**2**

**3****4**



Kensington and the ACCO name and design are registered trademarks of ACCO Brands. The Kensington Promise is a service mark of ACCO Brands. SafeDome is a trademark of ACCO Brands. ClickSafe is a registered trademark of ACCO Brands. iMac is a trademark of Apple Inc., registered in the U.S. and other countries. All other registered and unregistered trademarks are the property of their respective owners patents pending.

©2012 Kensington Computer Products Group, a division of ACCO Brands. Any unauthorized copying, duplicating, or other reproduction of the contents hereof is prohibited without written consent from Kensington Computer Products Group. All rights reserved. 04/12



For technical support visit  
Pour tout support technique  
veuillez visiter  
[www.kensington.com](http://www.kensington.com)

*The Kensington Promise™*

Complete warranty terms are available at:  
[www.warranty.kensington.com](http://www.warranty.kensington.com)

**Kensington Computer Products Group**  
**A Division of ACCO Brands**  
333 Twin Dolphin Drive, 6th Floor  
Redwood Shores, CA 94065

**ACCO Brands Europe**  
Oxford House  
Oxford Road  
Aylesbury  
Bucks, HP21 8SZ  
United Kingdom

**ACCO Brands Canada**  
5 Precidio Court  
Brampton  
Ontario, L6S 6B7  
Canada

**ACCO Australia**  
Level 2, 8 Lord St  
Botany NSW 2019  
PO Box 311  
Rosebery NSW 1445  
Australia

[www.kensington.com](http://www.kensington.com)

901-2616-00

KL