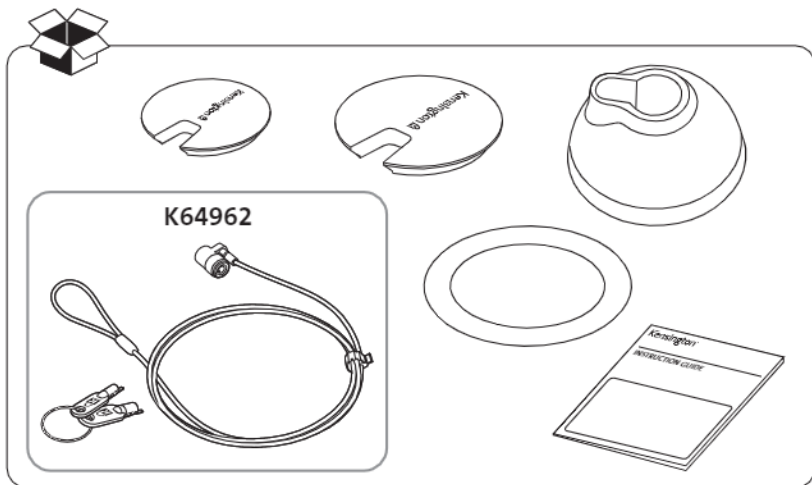


Kensington®

SafeDome™ for iMac® with ClickSafe® Keyed Ultra Lock

INSTRUCTION GUIDE
GUIDE D'INSTRUCTIONS
BEDIENUNGSANLEITUNG
HANDLEIDING
MANUALE DI ISTRUZIONI
MANUAL DE INSTRUCCIONES

HASZNÁLATI ÚTMUTATÓ
PŘÍRUČKA S POKYNY
INSTRUKCJA OBSŁUGI
РУКОВОДСТВО ПОЛЬЗОВАТЕЛЯ
MANUAL DE INSTRUÇÕES

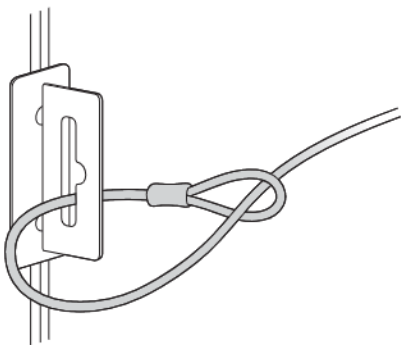
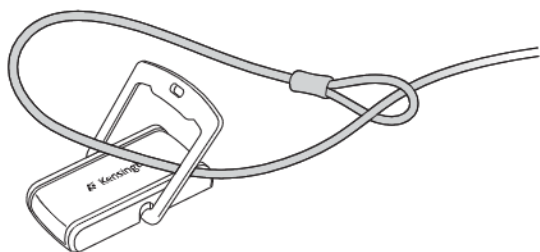
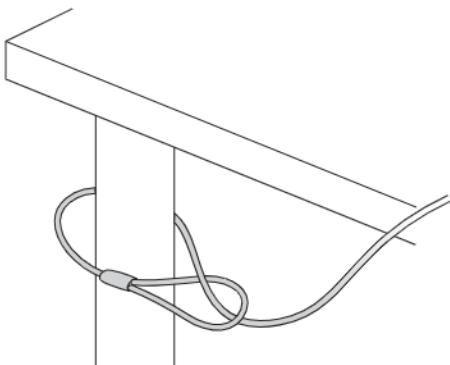


Register Now!
Enregistrer maintenant !
Jetzt registrieren!
Nu registreren

Registrar ahora
Registra adesso
Regisztráljon most!
Zaregistrujte se nyní!

Zarejestruj się!
Зарегистрироваться!
Registe-se agora!

register.kensington.com



1

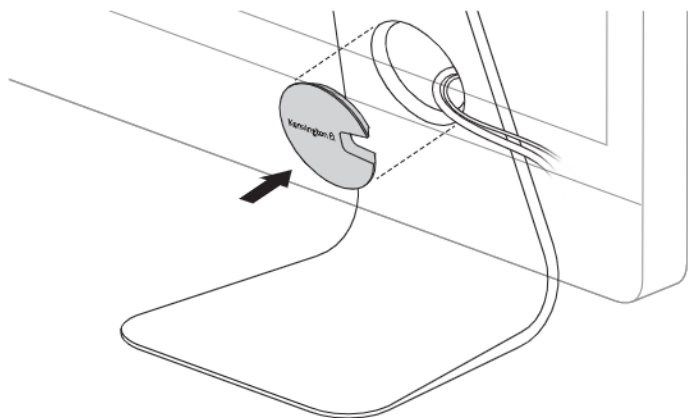
21.5 in



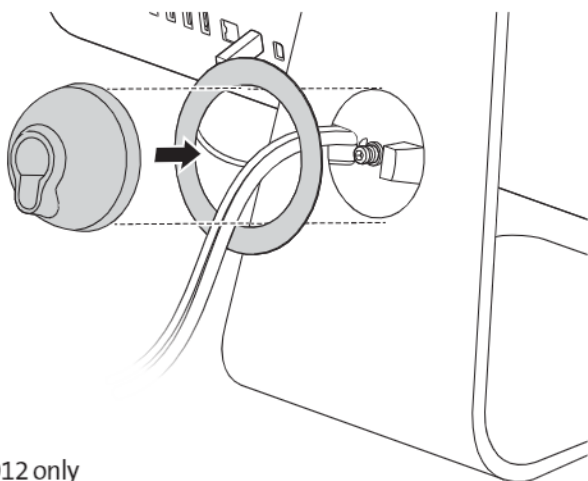
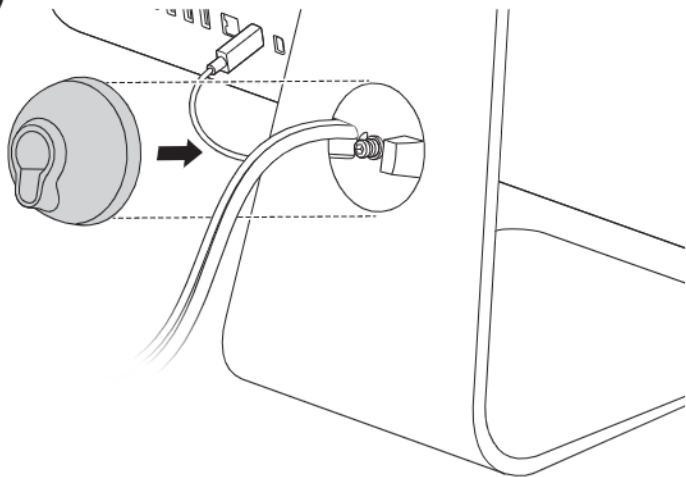
27 in



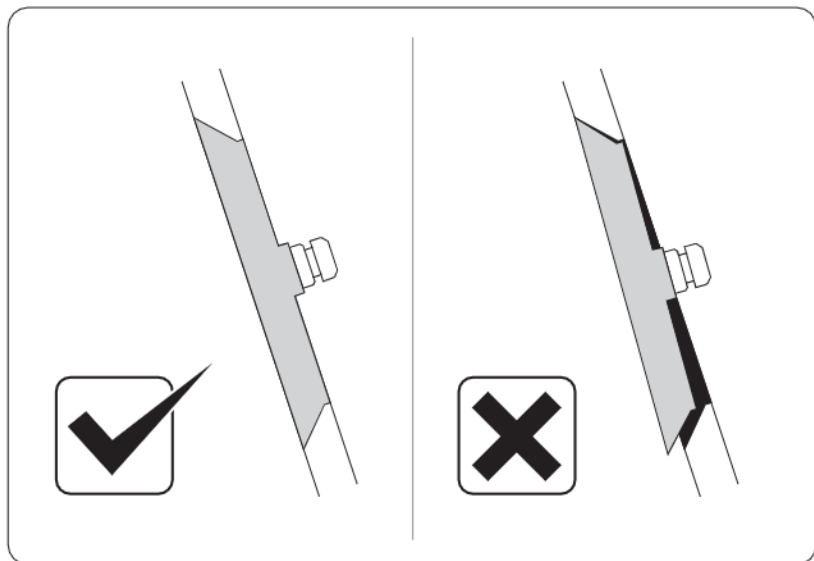
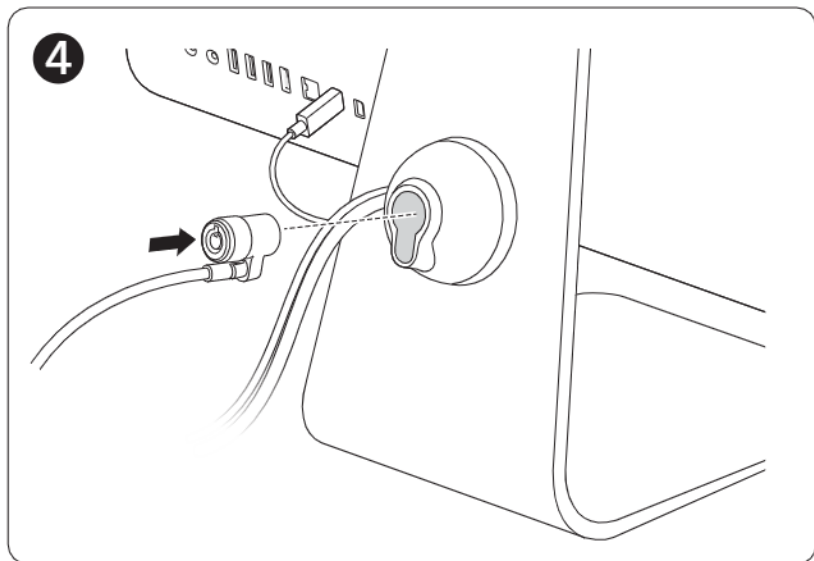
2012

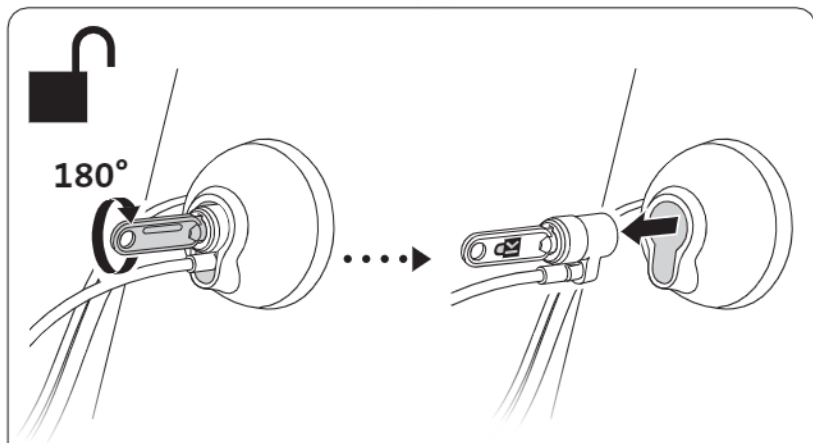
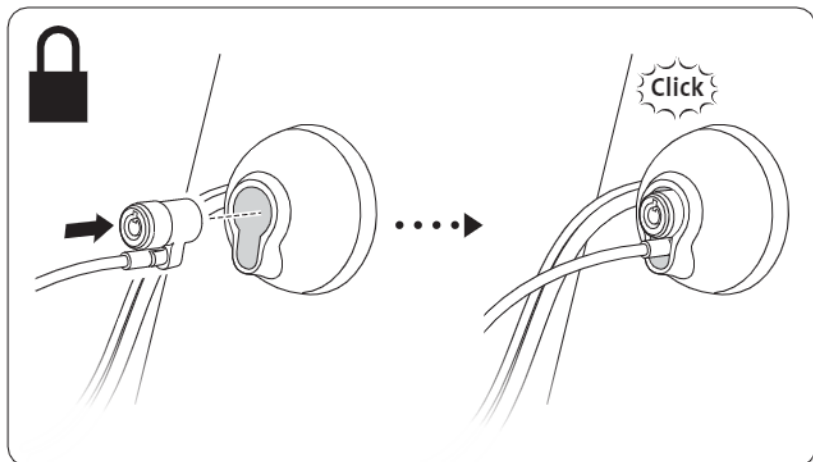
**2**

3



27 in 2012 only





K67768: K67769 Sold separately
 K67768 : K67769 Vendus séparément
 K67768: K67769 Separat erhältlich
 K67768: K67769 Los verkrijgbaar
 K67768: K67769 Venduti separatamente
 K67768: K67769 Venden por separado

K67768: K67769 Külön kell megvásárolni
 K67768: K67769 Prodávány samostatně
 K67768: K67769 Sprzedawane oddzielnie
 K67768: K67769 продаются отдельно
 K67768: K67769 Vendidos em separado

Technical Support / Assistance technique / Technischer Support /
 Technische ondersteuning / Supporto tecnico / Asistencia técnica /
 Műszaki támogatás / Technická podpora / Pomoc techniczna /
 Техническая поддержка / Assistência técnica

Australia	1300 881 931	Nederland	010 713 1882
België / Belgique	02 401 2395	New Zealand	0800 539 26273
Brasil	14 3235-4003	Norway	80017520
Canada	1 800 268 3447	Österreich	0800 677 873
Denmark	80 250966	Polska	22 570 18 00
Deutschland	0692 222 3654	Portugal	800855802
España	911 146 735	Russia	007 495 933 5163
Finland	0800 9 15697	Schweiz / Suisse	044 580 6667
France	01 7671 0404	Sweden	08 5033 6577
Hungary	06 20 9430 612	United Kingdom	0203 364 5390
Ireland	01 431 1395	United States	1 800 535 4242
Italia	02 3604 7030	International Toll	+31 53 484 9135
México	55 15 00 57 00		

Kensington and the ACCO name and design are registered trademarks of ACCO Brands. The Kensington Promise is a service mark of ACCO Brands. SafeDome is a trademark of ACCO Brands. ClickSafe is a registered trademark of ACCO Brands. iMac is a trademark of Apple Inc., registered in the U.S. and other countries. All other registered and unregistered trademarks are the property of their respective owners patents pending.

©2014 Kensington Computer Products Group, a division of ACCO Brands. Any unauthorized copying, duplicating, or other reproduction of the contents hereof is prohibited without written consent from Kensington Computer Products Group. All rights reserved. 05/14



Kensington Computer Products Group
A Division of ACCO Brands
333 Twin Dolphin Drive, 6th Floor
Redwood Shores, CA 94065



ACCO Brands Europe
A Division of ACCO Brands Europe
Oxford House, Oxford Road
Aylesbury, Buckinghamshire,
HP21 8SZ
United Kingdom

ACCO Brands Canada Inc
7381 Bramalea Rd
Mississauga,
ON L5S 1C4

ACCO Australia
Level 2, 8 Lord St
Botany NSW 2019
Australia

Importado por ACCO Mexicana S.A. de C.V.
Circuito de la Industria Norte # 6,
Corredor Industrial Toluca Lerma,
Lerma México Cp. 52004
R.F.C. AME640229-1W3

Acco Brands Chile S.A.,
Avda. San Josemaria
Escrivá de Balaguer Nº5773
Vitacura, C.P. 7640870
Santiago, Chile

Importado e Distribuido por:
TILIBRA PRODUTOS DE PAPELARIA LTDA.
CNPJ: 44.990.901/0001-43
Rua Aimorés, 6-9 – Bauru/SP – Brasil
CEP 17013-900
www.kensington.com.br

Designed in California, U.S.A.
by Kensington

Made in China

www.kensington.com

K64962/K67768
901-2984-01